



Document No.:S-E19-1501

TY-OHM ELECTRONIC WORKS CO.,LTD.

**POWER WIRE WOUND CHIP RESISTORS
RESISTOR SPECIFICATION**

Version : 2015.A

APPROVED BY

APPROVED	REVIEWED	PREPARED
<i>Jack</i> Nov 4, 2015	<i>Aaron Chen</i> Nov 4, 2015	<i>Rob Lo</i> Nov 4, 2015

POWER WIRE WOUND CHIP RESISTORS

1. Applicable Scope:

This standard specification is for use in consumer electronics, computers, telecommunications, control instruments...etc.

2. Part Number:

It is composed by Type, Rated Wattage, Nominal Resistance and Tolerance. e.g.

<u>SMW</u>	<u>2W</u>	<u>1R</u>	<u>J</u>
Type	Rated Wattage	Nominal Resistance	Tolerance

2.1 Type :

Power Wire Wound Chip Resistors are called "SMW".

2.2 Rated Wattage:

Shown by "W", such as 2W, 3W, 5W.

2.3 Nominal Resistance:

Ω , $K\Omega$ are its unit, which be in accordance with JIS-C6409 article 6 (EIA RS-196A) series.

Letter "1R" indicates resistance value 1Ω .

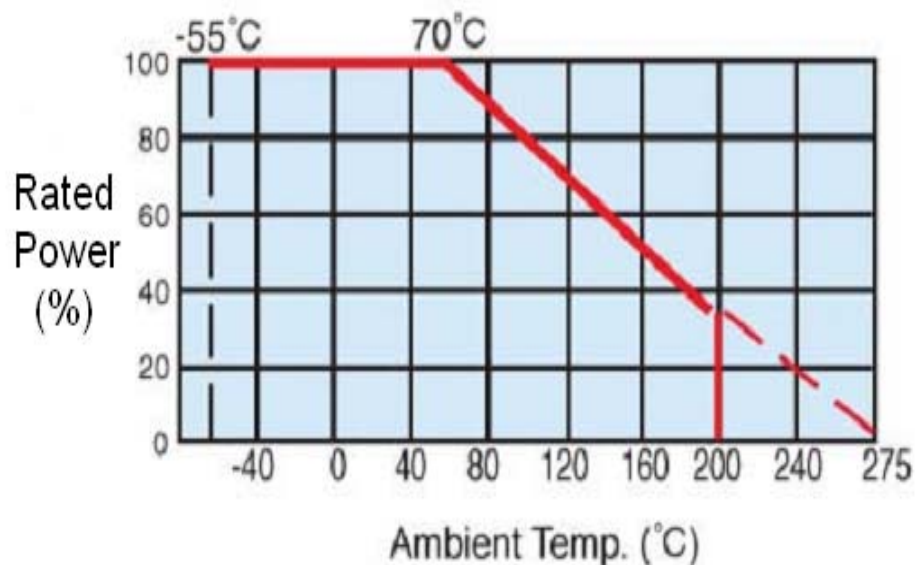
2.4 Tolerance:

It is measured by Bridge-method at room temperature and expressed by a capital letter.

J= $\pm 5\%$, F= $\pm 1\%$.

3. Rated Power:

Rated power is the value of Max load power specified at the ambient temperature of 70°C , and shall meet the functions of electrical and mechanical performance. When the ambient temperature surpasses above mentioned temperature, the value declines as per following DERATING CURVE.



POWER WIRE WOUND CHIP RESISTORS

3.1 Rated Voltage:

It is calculated through the following formula:

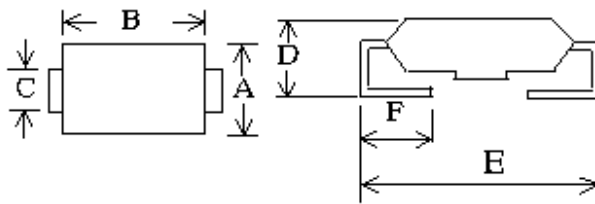
$$V = \sqrt{P \times R}$$

where V: rated voltage
P: rated power
R: total nominal resistance

However, in case the voltage calculated exceeds the maximum load voltage, such the maximum load voltage shall be regarded as its rated voltage, means whichever less.

4. Dimension and structure:

4.1 Dimension:



TYPE	Dimension (mm)						Resistance Range
	A±0.3	B±0.3	C±0.3	D±0.3	E max.	F±0.3	
SMW	4	6.7	1.4	3.55	7.9	1.5	0.1Ω~200Ω
2W	5.5	10.5	1.7	5	12	2.3	0.1Ω~300Ω
3W	7.3	13.5	1.7	6.8	17	2.5	0.01Ω~500Ω

Note: Too low or too high ohmic values can be supplied only case by case.

4.2 Structure:

4.2.1 Material:

Terminal is to be firmly connected with resistors element, both electrically and mechanically, and allow easy soldering.

4.2.2 Coating:

Flameproof UL94V0 molded package, resistant to heat, humidity & insulation.

4.2.3 Marking:

Marking is made on the surface with Rated Wattage, Nominal Resistance and Tolerance.

5. Operating Temperature Range: -55°C ~ 200°C

6. Electrical Performance:

6.1 Resistance Temperature Coefficient:

It shall be within : ±200ppm/°C. (under 0.1Ω shall be within ±1000ppm/°C)

$$T.C \text{ (ppm/°C)} = \left[\frac{R2 - R1}{R1} \right] \times \left[\frac{1}{T2 - T1} \right] \times 10^6$$

where R1: resistance value at reference temperature

R2: resistance value at test temp.

T1: reference temp. (usu. 25°C)

T2: test temp. (about 75°C)

POWER WIRE WOUND CHIP RESISTORS

6.2 Rated Load:

When the resistors are applied rated wattage for 30 minutes continuously, it shows no evidence of arc, flame...etc. Removing the voltage and place the resistors to the normal condition for 30 minutes, the resistance value change rate between pre-and-post test shall be within $\pm 1\%$.

6.3 Short Time Over Load:

When the resistors are applied 5 times as much as rated wattage for 5 seconds continuously, it shows no evidence of arc, flame...etc. Removing the voltage and place the resistors to the normal condition for 30 minutes, the resistance value change rate between pre-and-post test shall be within $\pm 1\%$.

6.4 Insulation Character :

Resistors are located in a jig and applying DC 500V, measuring the Insulation Resistance which shall be over $10000M\Omega$.

6.5 Voltage Withstanding:

Resistors are located in a jig and applying AC 500V for 1 minute and should find no physical damage to the resistors, such as arc, char...etc.

6.6 Load Life:

The resistors arrayed are sent into the 70°C oven, applying rated voltage at the cycle of 1.5 hours ON, 0.5 hour OFF for 1000_{-0}^{+48} hours in total. Then, after removing the voltage, take the resistors out of the oven and left under normal temp. for about one hour for cooling. The resistance value change rate between pre-and-post test shall be within $\pm 2\%$.

6.7 Moisture-proof Load Life:

The resistors arrayed are placed into a constant temp./humidity oven at the temp. of $40 \pm 2^{\circ}\text{C}$ and the humidity of 90~95%, then rated power is applied for 1.5 hours and cut off for 0.5 hour. The similar cycle will be repeated for 500_{-0}^{+24} hours in total (including cut-off time). Then remove the voltage, taking the resistors out of the oven and leaving them at room temp. for one hour. The resistance value change rate between pre-and-post test shall be within $\pm 2\%$. There also shall be no evidence of remarkable change on appearance, and the marking shall not be illegible.

6.8 Solder-ability:

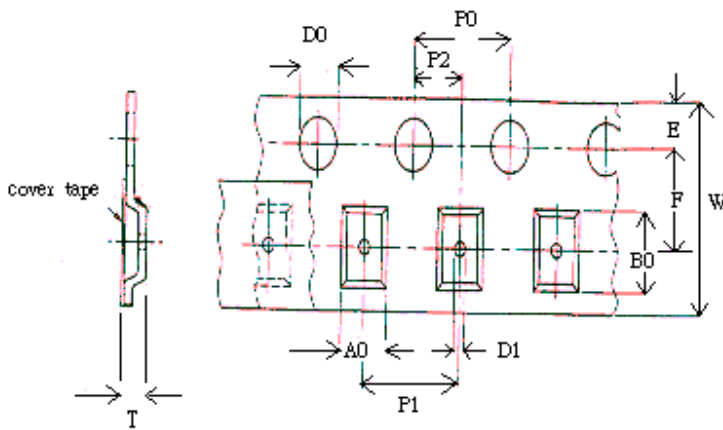
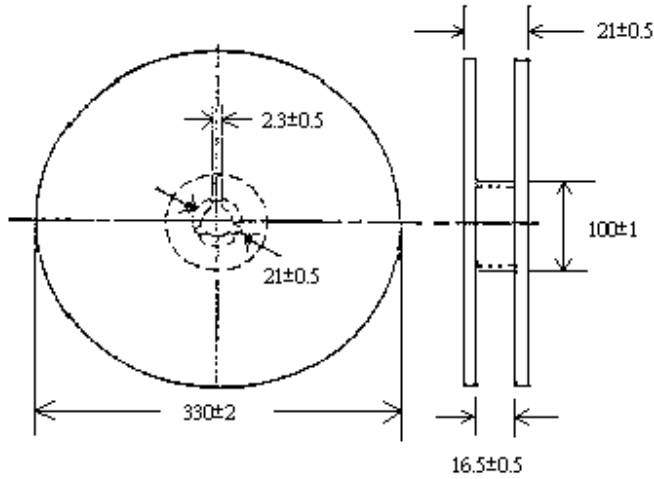
Immerse the resistors in the solder pot at $235 \pm 5^{\circ}\text{C}$ for 2 seconds. At least 95% solder coverage on the termination.

6.9 Resistance to Soldering Heat:

Immerse the resistors in the solder pot at $270 \pm 5^{\circ}\text{C}$ for 10 ± 1 seconds. Then remove the resistors out of the solder pot and leaving them at room temp. for one hour for cooling. The resistance value change rate between pre-and-post test shall be within $\pm 1\%$.

POWER WIRE WOUND CHIP RESISTORS

7. Tape & Reel:



Unit:mm

Code	Rated Power	$B0 \pm 0.2$	$A0 \pm 0.2$	$P1 \pm 0.1$	$P2 \pm 0.1$	$P0 \pm 0.1$	$D0 \pm 0.1$	$E \pm 0.1$	$F \pm 0.1$	$W \pm 0.3$	$D1 \pm 0.1$	$T \pm 0.1$	pcs/reel
SMW	2W	8	4.3	8	2	4	1.5	1.75	7.5	16	1.5	4.15	2000
SMW	3W	11.8	5.8	12	2	4	1.5	1.75	11.5	24	1.5	5.8	1000
SMW	5W	17.5	7.8	16	2	4	1.5	1.75	14.2	32	1.5	7.5	500